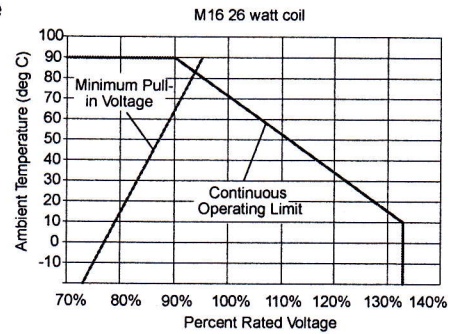


SPECIFICATIONS

- Duty cycle: 100% at 115% of rated voltage at 40°C [104°F]
- Magnet wire insulation: (200°C)
- Ambient temperature range: -20 to 40 °C [-4 to 104 °F]
- Environmental protection rating:
IP69K: DE
IP67: AJ, AS and M3 term
IP65: FL and DN
- Input voltage range: 85% to 115% of rated voltage
- Temperature rise at 115% of rated voltage: 130°C [266°F] above ambient
- AC coils require external rectifier
- Weight: 0.24 kg [0.53 lb]



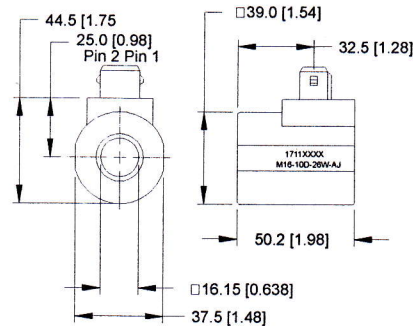
ELECTRICAL SPECIFICATIONS

26 watt coils

Voltage (V)	10 VDC	12 VDC	20 VDC	24 VDC	110 VAC	220 VAC
Resistance (Ohms) @ 20 °C [68 °F]	4	5.6	15	22	420	1600
Current draw (A) @ 20 °C [68 °F]	2.5	2.14	1.33	1.1	0.27	0.12

TERMINALS

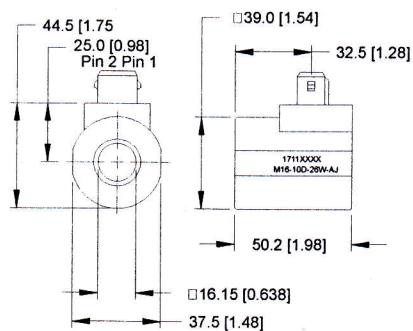
Amp Jr.
Code AJ



Part numbers

Voltage (V)	Power (W)	Part Number
10 VDC	26	M16-10D-26W-AJ
12 VDC	26	M16-12D-26W-AJ
20 VDC	26	M16-20D-26W-AJ
24 VDC	26	M16-24D-26W-AJ

Amp Jr. w/diode
Code AJD



Part numbers

Voltage (V)	Power (W)	Part Number
10 VDC	26	M16-10D-26W-AJD
12 VDC	26	M16-12D-26W-AJD
20 VDC	26	M16-20D-26W-AJD
24 VDC	26	M16-24D-26W-AJD

mm [in]

CL - Coils M16