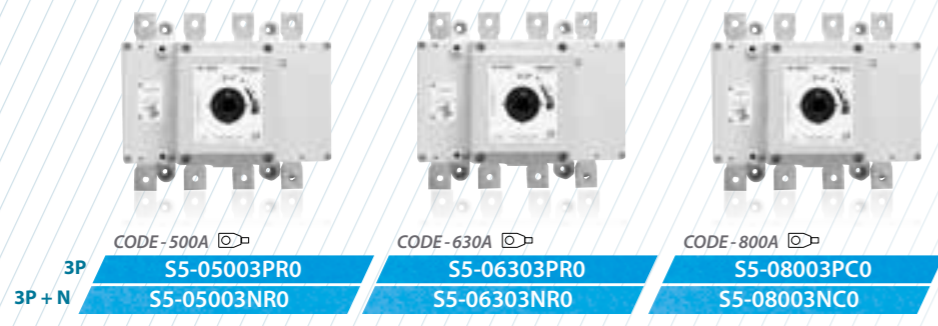
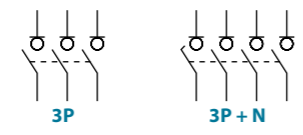


S5000 AC Switch - disconnecter base mounting 3P - 3P+N

Size 2
A 500|630|800



CODE-500A S5-05003PRO S5-05003NRO
CODE-630A S5-06303PRO S5-06303NRO
CODE-800A S5-08003PCO S5-08003NCO



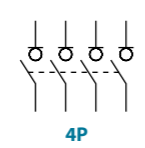
Technical information

According to IEC/EN 60947-3



		500 630 800		
Rated thermal current in ambient at	Ith	40 °C	A	500 630 800
		50 °C	A	500 630 720
		60 °C	A	500 630 640
Rated insulation voltage	Ui	V		1000 1000 1000
		V		8000 8000 8000
Rated dielectric strength	50 Hz, 1 min.	V		8000 8000 8000
Rated impulse withstand voltage	Uimp	kV		12 12 12
AC rated operational current ^{*(1)} (Rated operational frequency 50/60 Hz)	Ie	Ue 400V AC21A	A	500 630 800
		Ue 400V AC22A	A	500 630 800
	Ue 400V AC23A	A	500 630 800	
	Ue 500V AC21A	A	500 630 800	
	Ue 500V AC22A	A	500 630 800	
	Ue 500V AC23A	A	400 500 500	
AC rated operational power ^{*(2)}	Pe	3x400V AC23A	kW	277,1 349,1 443,4
Rated capacitor power	400V, sen φ = 0,65	kVA		225,1 283,7 360,2
Rated breaking capacity	400V AC23A	A		4000 5000 6400
Rated making capacity	400V AC23A	A		5000 6300 8000

		500 630 800			
Short - circuit behaviour					
Rated short-circuit making capacity ^{*(3)}	Icm	kA (peak)	26	26	26
Rated short-time withstand current (1sec.)	Icw	kA rms	16	16	16
Conditional short - circuit current (rms value) ^{*(4)}		kA rms	100	100	100
Maximum cut - off current (peak value)		kA (peak)	39	39	39
Maximum power dissipation (I ² t)		A ² s (x10 ³)	1600	1600	1600
Mechanical features					
Minimum number of mechanical operations ^{*(5)}	Cycles		10000	10000	10000
Maximum weight 3P		Kg	4,2	4,2	4,2
Maximum weight 3P+N		Kg	4,5	4,5	4,5



Also available 4P switches under request, consult reference

^{*(1)} Other voltages and / or utilization categories. Please consult
^{*(2)} Indicative values: current values vary from one motor manufacturer to another
^{*(3)} Without limiting protective device (short-circuit maintained 50... 100 ms.)
^{*(4)} With a protective device limiting the cut - off current and the joule integral to the indicated values
^{*(5)} Please consult us for more operations

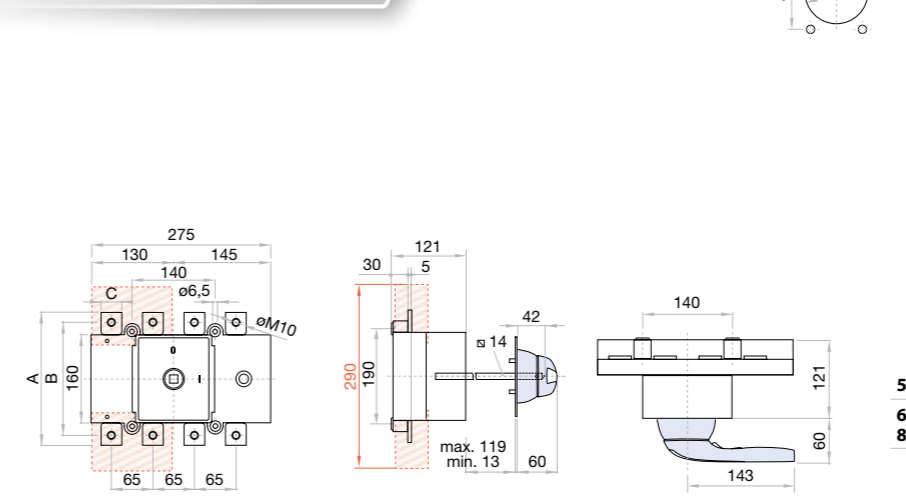
Accessories

- Direct handle**
CODE DS-LI21
- External handle** included shaft ^{*(e1)}
IP65|UL50E/NEMA 250
Types: 1, 3R, 4, 4X y 12
CODE DS-LA21
- External handle** without shaft
IP65|UL50E/NEMA 250
Types: 1, 3R, 4, 4X y 12
CODE DS-LA24
- Emergency external handle** included shaft ^{*(e1)}
IP65|UL50E/NEMA 250
Types: 1, 3R, 4, 4X y 12
CODE DS-LR21
- Terminal protection**
CODE DS-CU22
(1 unit for input or output)
- Terminal shrouds**
CODE DS-CU21
(1 kit for input or output)
- Auxiliary contacts**
1NO+1NC CODE D5LAU01
2NO+2NC CODE D5LAU02
Ie = 16 A (resistive loads)
4 A (inductive loads) at 250 Vac.
- Safety key lock device**
Simple CODE DS-CB21
Double CODE DS-CF21
For external handle, lock the handle by means of a key in position "OFF" (under request, in "ON"), the key can only be removed with the handle locked

Shafts

Standard shaft included ^{*(e1)}		
L (mm)	P (mm)	
195	134... 240	
Shaft extensions		
Type 1		
L (mm)	P (mm)	CODE
345	134... 400	DS-EP23
Type 2		
L (mm)	P (mm)	CODE
535	134... 560	DS-EP24

Dimensions (mm)



	A	B	C	S max (Cu) mm ²	H max (Cu) mm	L max (Cu) mm	M
500 A	220	190	25	2x185	6	40	M10 24
630 A	235	205	30	2x240	2x5	40	M10 24
800 A						50	

