

FOR	SEPARATE TYPE LEVEL SWITCH	
MOUNTING	TOP & SIDE, SCREW	
ENCLOSURE	WEATHER PROOF (IP65)	
AMBIENT TEMP.	-20 ~ +60 °C	
MAX. PRESSURE	10	kgf/cm ²
MAX. TEMP	250	°C

PROCESS CONN. SIZE	PT 3/4"(M)
--------------------	------------

TAG. NO.	QTY	REMARK
	1	

CABLE CONNECTION SIZE	SHELL 14S
-----------------------	-----------

NO.	DESCRIPTION	MATERIAL	REMARK
1	WEIGHT	C.S	
2	BODY	C.S	
3	COVER	C.S	
4	PROCESS CONN.	304 SS	
5	SENSING ROD	316L SS	

NOTE

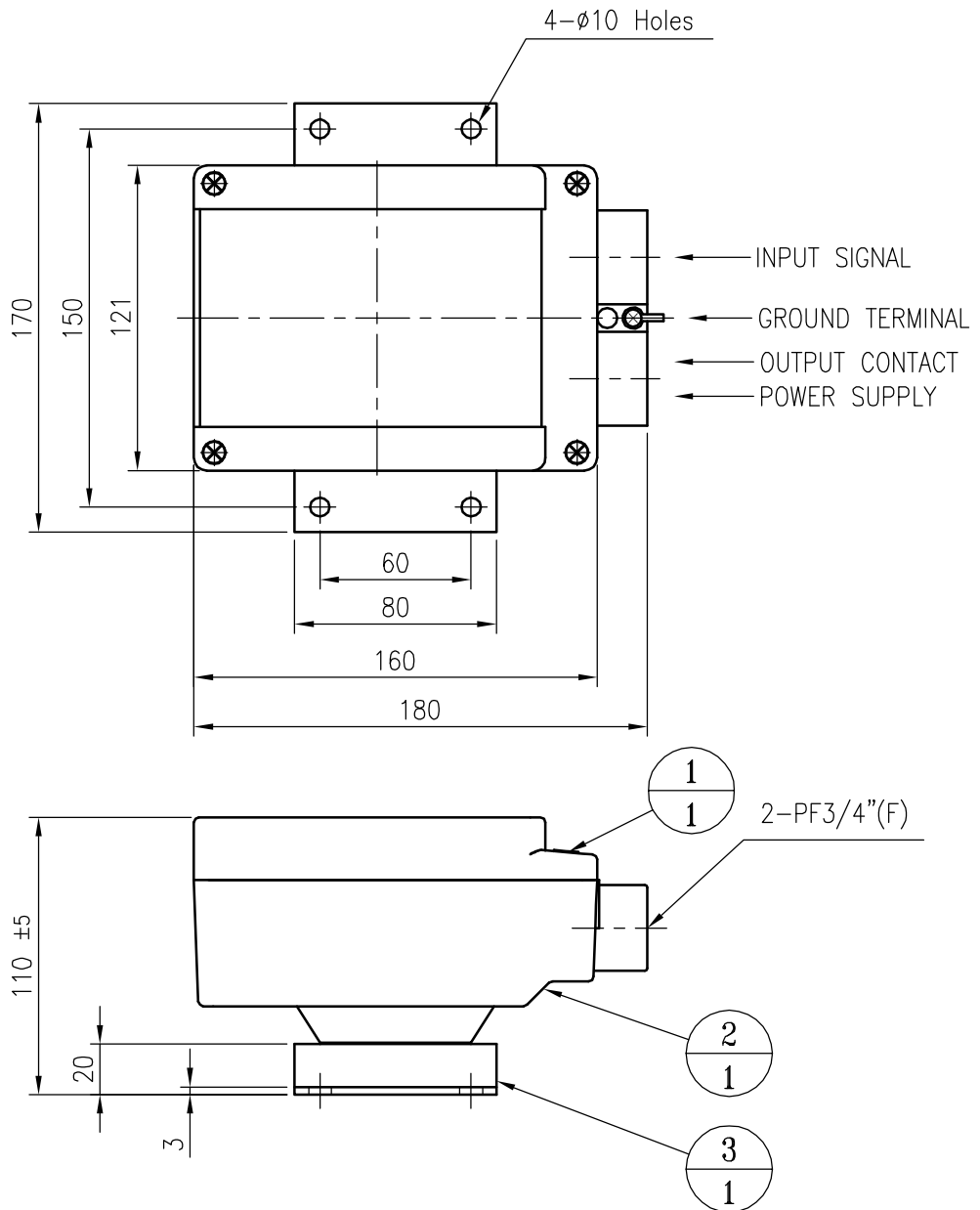
1. GENERAL TOLERANCE ±3mm EXCEPT AS NOTED.

△	.	.				
△	.	.				
△	.	.				
△	.	.				
△	AUG. 2017	1st ISSUE	D Y KIM	B S SUNG	Y H KIM	
NO.	DATE	REVISION	REV'D BY	CHK'D BY	APP'D BY	

HITROL HITROL CO., LTD.
TITLE
**VIBRATION TYPE LEVEL SWITCH
HTM-930N**

SCALE	UNIT	SHEET NO.
N.S	mm	—
PROJECT		
DRAWING NO.		
HTM930N-A-01		

This drawing is the property of HITROL and shall not be copied, communicated, or given for third-party except with our written permission



SPECIFICATION

POWER SUPPLY	<input type="checkbox"/> AC 90~240V, 50/60Hz <input type="checkbox"/> DC 24V
SWITCH TYPE & FORM	DPDT
CONTACT RATING	AC 250V 5A, DC 30V 5A
AMBIENT TEMP	-20 ~ +60 °C

NO.	DESCRIPTION	MTERIAL	REMARK
1	COVER	ADC 12	
2	BASE	ADC 12	
3	MOUNTING BRACKET	SS41	

NOTE

1. GENERAL TOLERACE \pm 3mm EXCEPT AS NOTED.

	.	.				HITROL CO., LTD. TITLE CONTROL UNIT HLC-901LN	SCALE N.S	UNIT mm	SHEET NO. /
	.	.					PROJECT		
	.	.					DRAWING NO.		
	AUG. 2017	1st ISSUE	D Y KIM	B S SUNG	Y H KIM		HLC-901LN-A-01		
NO.	DATE	REVISION	REV'D BY	CHK'D BY	APP'D BY				

This drawing is the property of HITROL and shall not be copied, communicated, or given for tiers except with our written permission.