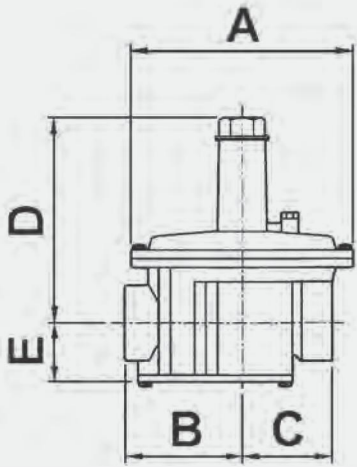


OVERALL DIMENSIONS

FG



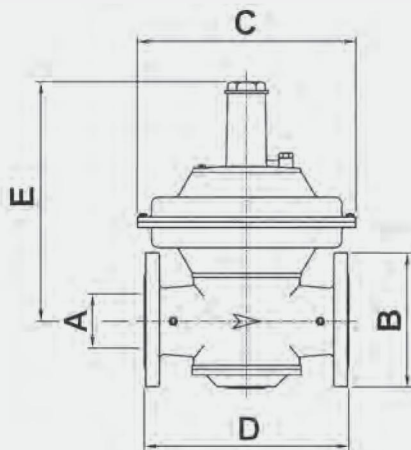
TECHNICAL NOTE

Measurement E must be increased by approximately 400 mm to facilitate filter cleaning and inspection.

FG.50/40: model with 2" threaded connections but with the overall dimensions of the 1 1/2" model (FG..40).

Model	Connections	A	B	C	D	E
FG..15	Rp 1/2" UNI-ISO 7/1					
FG..20	Rp 3/4" UNI-ISO 7/1	146	73	58	137	42
FG..25	Rp 1" UNI-ISO 7/1					
FG..32	Rp 1 1/4" UNI-ISO 7/1					
FG..40	Rp 1 1/2" UNI-ISO 7/1	194	98	80	175	52
FG..50/40	Rp 2" UNI-ISO 7/1					
FG..50	Rp 2" UNI-ISO 7/1	260	135	90	250	65

FS1B - ST1B



TECHNICAL NOTE

For the FS1B series (with built-in filter unit) the measurement "E" must be increased by approximately 400 mm to facilitate cleaning and inspection of the filter.

Model	Connections	A	B	C	D	E
FS1B65	DN 65 PN16 EN 1092-4	85	185	320	300	340
FS1B80	DN 80 PN16 EN 1092-4	85	200	320	300	340
ST1B65	DN 65 PN16 EN 1092-4	85	185	320	300	340
ST1B80	DN 80 PN16 EN 1092-4	85	200	320	300	340
ST1B100	DN100 PN16 EN 1092-4	100	220	370	360	410