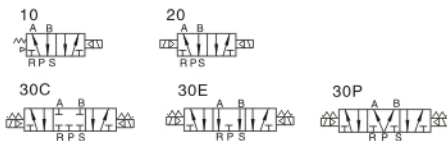


Solenoid valve (5/2 、 5/3 way)

4V200 Series



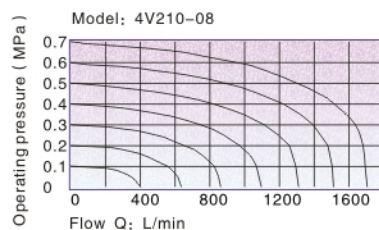
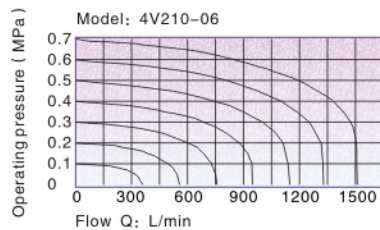
Symbol



Product feature

- 1、Pilot-oriented mode: optional for internal or external;
- 2、Structure in sliding column mode: good tightness and sensitive reaction;
- 3、Three position solenoid valves have three kinds of central function for your choice;
- 4、Double control solenoid valves have memory function;
- 5、Internal hole adopts special processing technology which has little attrition friction, low start pressure and long service life;
- 6、No need to add oil for lubrication;
- 7、It is available to form integrated valve group with the base to save installation space;
- 8、Affiliated manual devices are equipped to facilitate installation and debugging;
- 9、Several standard voltage grades are optional;

Flow chart



Specification

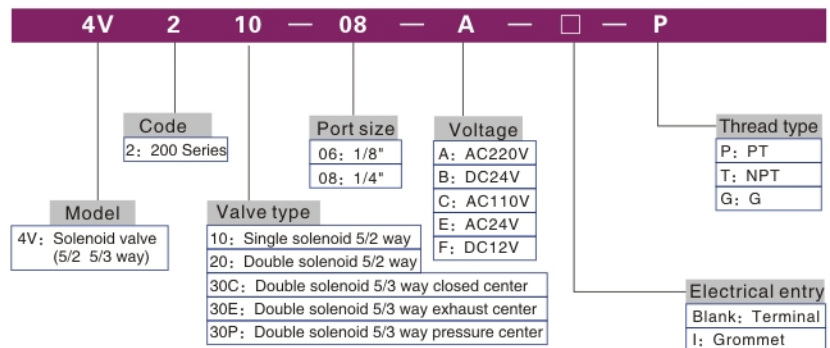
| Model | 4V210-06 4V220-06 | 4V230C-06 4V230E-06 4V230P-06 | 4V210-08 4V220-08 | 4V230C-08 4V230E-08 4V230P-08 |
|--------------------|---|-------------------------------------|----------------------------------|-------------------------------------|
| Fluid | Air(to be filtered by 40um filter element) | | | |
| Acting | Piloted | | | |
| Port size ① | In=Out=Exhaust=1/8" | | In=Out =1/4" Exhaust=1/8" | |
| Orifice size | 14.0mm ² (Cv=0.78) | 12.0mm ² (Cv=0.67) | 16.0mm ² (Cv=0.89) | 12.0mm ² (Cv=0.67) |
| Valve type | 5 port 2 position | 5 port 3 position | 5 port 2 position | 5 port 3 position |
| Operating pressure | 0.15~0.8MPa(21~114Psi) | | | |
| Proof pressure | 1.5MPa(215Psi) | | | |
| Temperature ℃ | -20~70 | | | |
| Material of body | Aluminum alloy | | | |
| Lubrication ② | Not required | | | |
| Max. frequency ③ | 5 cycle/sec | 3 cycle/sec | 5 cycle/sec | 3 cycle/sec |
| Weight | 4V210-06:220g 4V220-06:320g | 360g | 4V210-08:220g 4V220-08:320g | 360g |

- ① PT thread、NPT thread and G thread are available;
- ② It can not stop in the midway of lubricating. Lubricants like ISO VG32 or equivalent are recommended.
- ③ The maximum actuation frequency is in the no-load state.

Coil specification

| Item | Specification |
|----------------------------|---------------------------------|
| Standard voltage | AC220V、AC110V、AC24V、DC24V、DC12V |
| Scope of voltage | AC: ±15% DC: ±10% |
| Power consumption | AC: 3.5VA DC : 3.0W |
| Protection | IP65 (DIN40050) |
| Temperature classification | B Class |
| Electrical entry | Terminal、Grommet |
| Activating time | 0.05 sec and below |

Ordering code



Please refer to PI-34 for manifold specification and the order way.

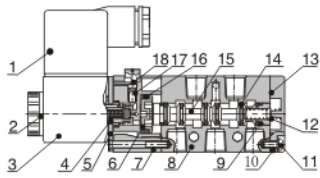


Solenoid valve (5/2 、 5/3 way)

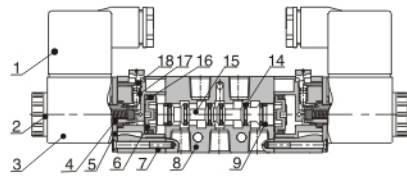
4V200 Series

Inner structure

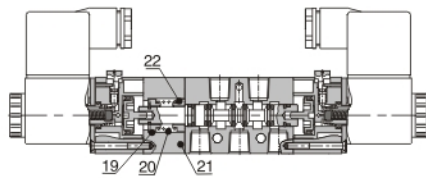
4V210



4V220



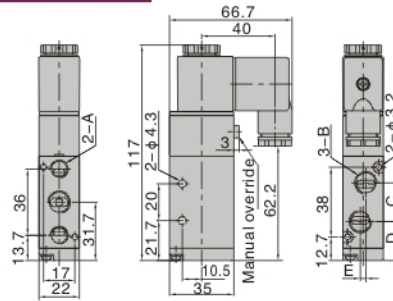
4V230C



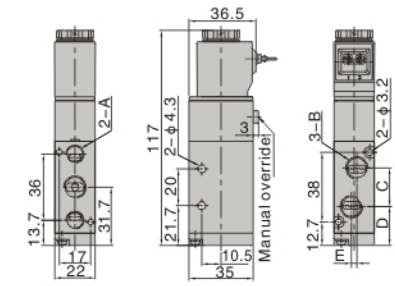
| NO. | Item | NO. | Item | NO. | Item |
|-----|-------------|-----|---------------------|-----|-----------------|
| 1 | Connector | 9 | Wear ring | 17 | Override spring |
| 2 | Coil nut | 10 | Bottom cover | 18 | Manual override |
| 3 | Coil | 11 | Fixed screw | 19 | Spring holder |
| 4 | Armature | 12 | Spool spring | 20 | Return spring |
| 5 | Fixed plate | 13 | Bottom cover gasket | 21 | Side cover |
| 6 | Piston | 14 | Spool O-ring | 22 | Spring holder |
| 7 | Pilot kit | 15 | Spool | | |
| 8 | Body | 16 | Piston O-ring | | |

Dimensions

4V210(Terminal)

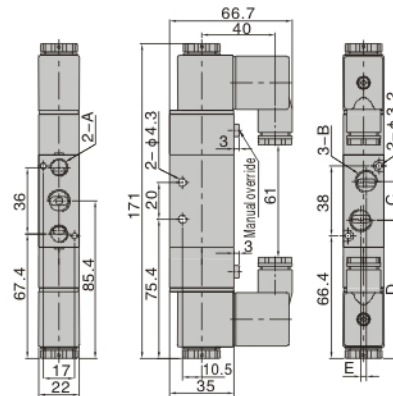


4V210(Grommet)

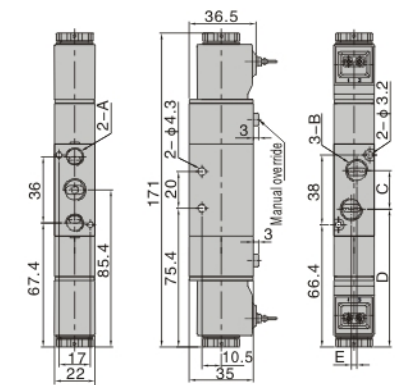


| Model/Item | A | B | C | D | E |
|------------|------|------|----|------|---|
| 4V210-06 | 1/8" | 1/8" | 18 | 22.7 | 0 |
| 4V210-08 | 1/8" | 1/4" | 21 | 21.2 | 3 |

4V220(Terminal)

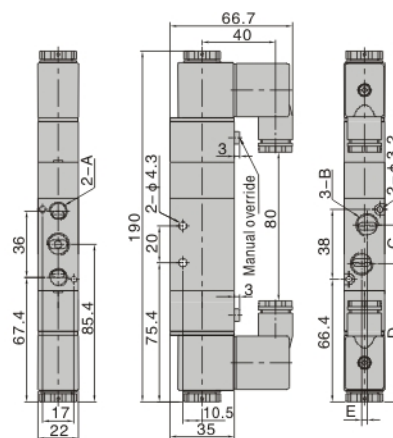


4V220(Grommet)

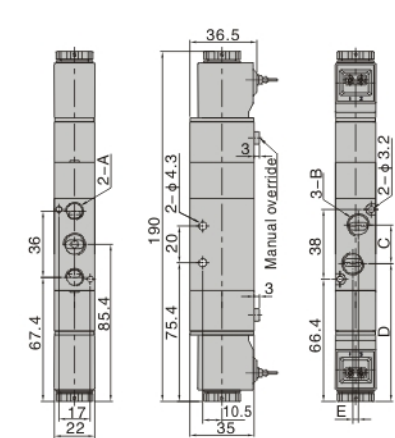


| Model/Item | A | B | C | D | E |
|------------|------|------|----|------|---|
| 4V220-06 | 1/8" | 1/8" | 18 | 76.4 | 0 |
| 4V220-08 | 1/8" | 1/4" | 21 | 74.9 | 3 |

4V230(Terminal)



4V230(Grommet)



| Model/Item | A | B | C | D | E |
|------------|------|------|----|------|---|
| 4V230-06 | 1/8" | 1/8" | 18 | 76.4 | 0 |
| 4V230-08 | 1/8" | 1/4" | 21 | 74.9 | 3 |