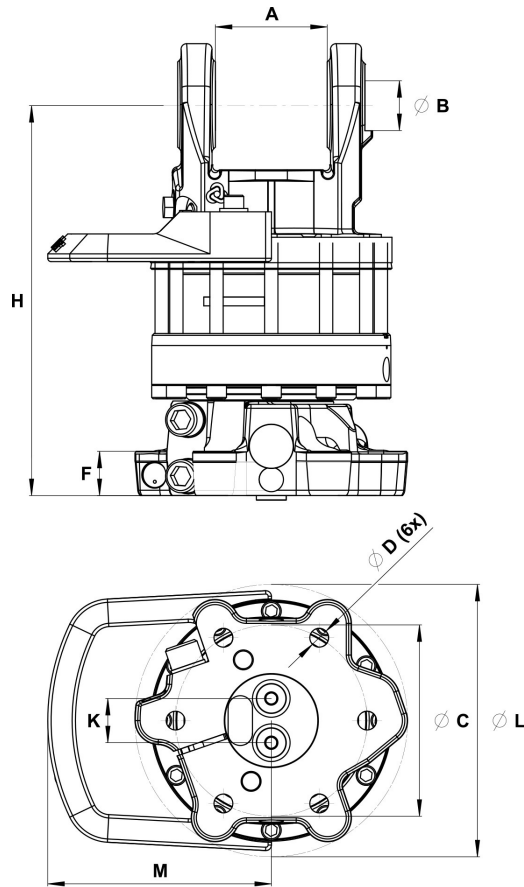
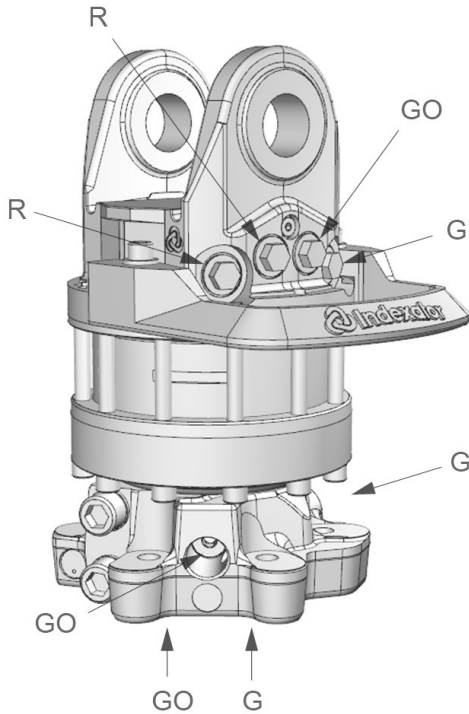











GV 17S

Part No.: 5217275



Upper connection	Lower connection
G 1/2	G 1/2

A: 101 mm	B: Ø45 mm	C: Ø173 mm	D: Ø17 mm	F: 40 mm	H: 353 mm	K: 40 mm	L: Ø248 mm	M: 202 mm
--------------	--------------	---------------	--------------	-------------	--------------	-------------	---------------	--------------

		Max 	Max 		Max 	Max 	Max 	Max 
63.6 kg	360°	160 kN	50 kN	3300 Nm	35 l/min	25 MPa	25 MPa	25 MPa

Adapter sets are available for alternative connections.

We reserve the right to make product changes. For further technical information relating to integration and hydraulic connections, please contact rotator@indexator.com