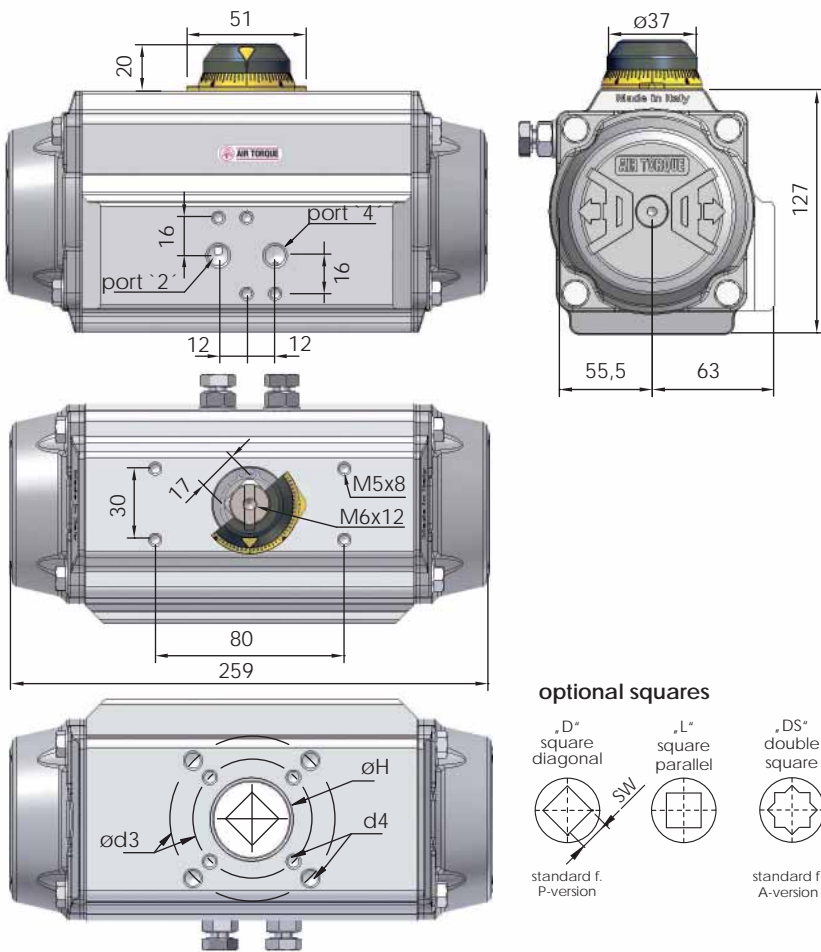




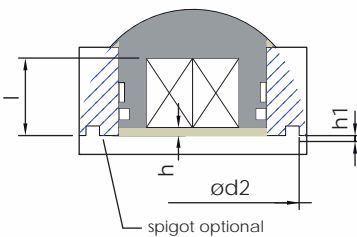
Dimensions in mm



ISO 5211 - available flanges

ISO 5211	Standard		optional	
	F07 + F10	F05* + F07	F07	F07
Ø d2	55	-	-	55
d3	70	102	50	70
Ø d4	M8x12	M10x15	M6x9	M8x12
Ø H	55	-	-	55
SW x l min.	D	-	14 x 18 - 17 x 19	
	DS	17 x 24	17 x 24 - 22 x 24	
h min.	1,5	1,5	1,5	1,5
h1	2	-	-	2

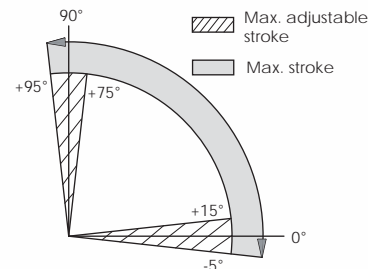
*before selecting the flange connection please consider the indications of standard n° 5211 on page 0911 of our manual for op. and maintenance



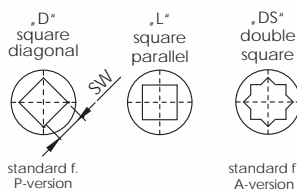
Connection / Attachment

Pressure connection port 2 and 4	G1/4"
Ancillaries attachment	AA 1

Rotation and stroke adjustment



optional squares



Pressure	Output torque for double acting and spring return in Nm											Spring torque	approx. weight	
	2,5 bar	3 bar	3,5 bar	4 bar	4,2 bar	4,5 bar	5 bar	5,5 bar	6 bar	7 bar	8 bar			
DR	66,5	79,8	93,1	106	112	120	133	146	160	186	213	90°	0°	5,15

SC 2/3	41,1 27,1	54,4 40,4	67,7 53,7	81 67	86,3 72,3	94,3 80,3	108 93,6					39,4 25,3	5,50
SC 3	36,1 19,2	49,4 32,5	62,7 45,8	76 59,1	81,3 64,4	89,3 72,4	103 85,7	116 99				47,3 30,4	5,57
SC 3/4		44,3 24,6	57,6 37,9	70,9 51,2	76,2 56,5	84,2 64,5	97,5 77,8	111 91,1	124 104			55,1 35,5	5,64
SC 4			52,5 30	65,8 43,3	71,1 48,7	79,1 56,6	92,4 69,9	106 83,2	119 96,5	146 123		63 40,5	5,71
SC 4/5				60,8 35,5	66 40,8	74 48,8	87,3 62,1	101 75,3	114 88,6	141 115	167 142	70,9 45,6	5,78
SC 5						69 40,9	82,3 54,2	95,6 67,5	109 80,8	135 107	162 134	78,8 50,7	5,85
SC 5/6							77,2 46,3	90,5 59,6	104 72,9	130 99,5	157 126	86,7 55,7	5,92
SC 6								85,4 51,7	98,7 65	125 91,6	152 118	94,5 60,8	5,99

Pressure max.	Rotation (STD) (C)	Screw stroke adjustment	Chamber (Ø mm)	Air volume (l)		Moving time (sec.) (A)	
				OPEN	CLOSE	OPEN	CLOSE
8 bar	0° - 90°	for 1° / 1/5 rotation	100	0,71	1,11	D 0,50 S 0,70	D 0,60 S 0,90

Operating temperature (°C) (B)		
ST (Standard)	HT (High temperature)	LLT (Extreme low temperature)
- 40 to + 80	- 15 to + 150	- 55 to + 80

(A) the above indicated moving time of the actuator is obtained under the following test conditions: (1) room temperature, (2) actuator stroke 90°, (3) solenoid valve with Ø 4 mm and flow capacity Qn 400 L/min., (4) inside pipe Ø 8 mm, (5) medium clean air, (6) air supply pressure 5,5 bar (79,75 Psi), (7) actuator without external resistance load. **Caution:** It has to be expected, e.g. for field applications, when one or more of the above parameters are different, the moving time will be different.

Operating Medium:

The operating medium must be free of dust and oil. The maximum particle size must not exceed 30µ. (ISO 8573 Part1, Class5). In order to prevent water condensation and/or solidification (ice when actuator works below 0°C), the operating medium must have a dew point equal to -20°C or at least 10°C below the ambient temperature (ISO 8573 Part1, Class3)

(B) Every temperature range option requires proper components and lubricant. Please contact Air Torque GmbH.